

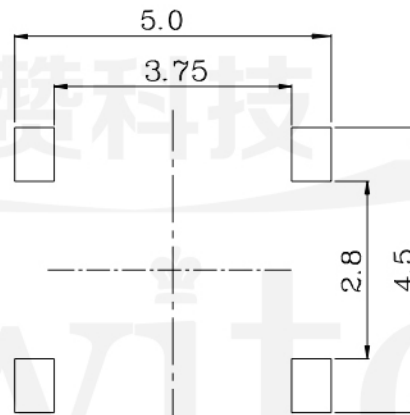
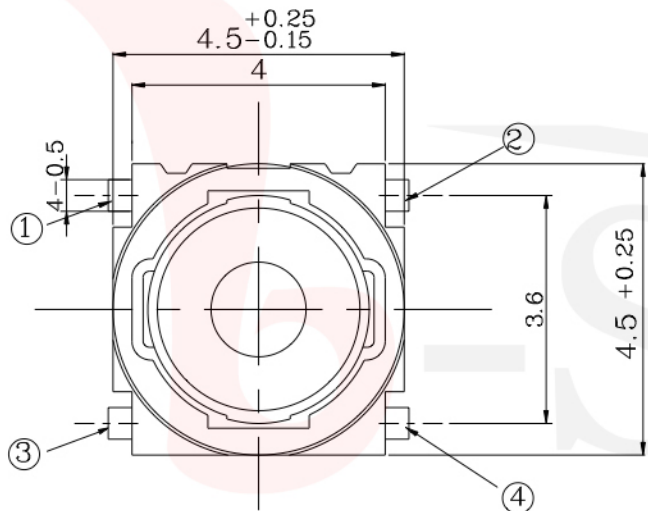
### GT-TC203X-HXXX-LX

G-SWITCH

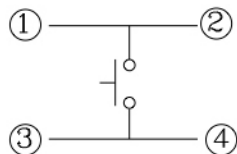
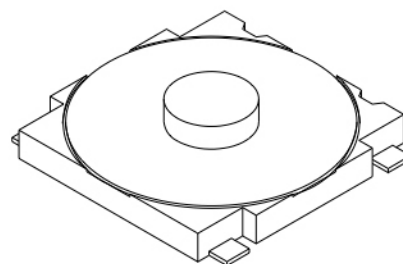
**Operating Force**  
 A=160gf  
 B=250gf  
 C=100gf

**Switch Height (mm)**  
 H010=1.0mm

**Switch lifetime (Force)**  
 L10=1,000,000 Cycles  
 L50=5,000,000 Cycles



Printed circuit board land dimensions  
 P.C.B固定尺寸  
 (When viewed from switch mounting face)



回路圖 : (CIRCUIT DIAGRAM)



**G-Switch Specification:**

Operating temperature range : -30°C to +85°C  
 Rating : 50mA.12V DC  
 Insulation resistance : 100MΩ min.100V DC  
 Dielectric strength : 250V AC for 1 min  
 Contact resistance : 100m Ω max.  
 Travel:0.20±0.05mm

	G-Switch Electronic (HongKong) CO.,Ltd.		
	DESIGN FengFengChen	DATE 2019.05.29	Molde code:
Unless otherwise specified, Tolerance:	CHECKED	DATE	GT-TC203X-HXXX-LX
X. ±0.30	APPROVED	DATE	
X.x ±0.20	<a href="http://www.dg-switch.com">http://www.dg-switch.com</a>		REV.: X1
X.xx ±0.15	TEL:0769-82388879		SCALE: 4:1
X.xxx ±0.10			UNIT: mm
Angles ±3°			SIZE: A4
			SHEET: 1/1