

**GT-TC106X-HXXX-LX**

**G-SWITCH**

**Operating Force**

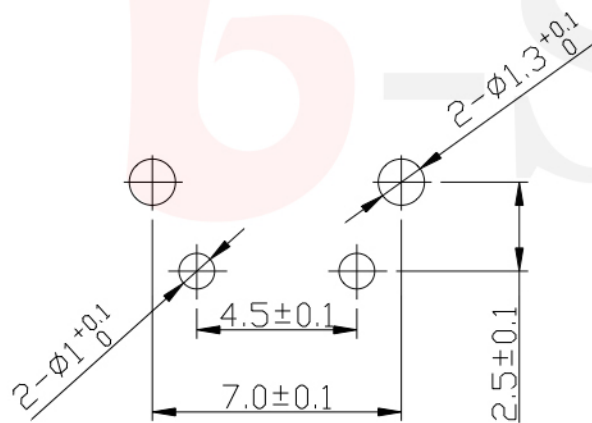
- A=160gf
- B=250gf
- C=100gf
- D=70gf
- E=130gf
- F=320gf
- G=400gf

**Switch lifetime (Force)**

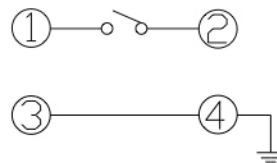
- L05=50,000 Cycles
- L1=100,000 Cycles
- L3=300,000 Cycles
- L5=500,000 Cycles

**Switch Height (mm)**

- H043=4.3(A3.5) H050=5.0(A3.5)
- H055=5.5(A3.5) H060=6.0(A3.5)
- H065=6.5(A3.5) H070=7.0(A3.3)
- H080=8.0(A3.3) H085=8.5(A3.3)
- H090=9.0(A3.3) H095=9.5(A3.0)
- H100=10.0(A3.0) H105=10.5(A3.0)
- H110=11.0(A3.0) H115=11.5(A3.0)
- H120=12.0(A3.0) H125=12.5(A3.0)
- H130=13.0(A3.0) H135=13.5(A3.0)
- H140=14.0(A3.0) H145=14.5(A3.0)
- H150=15.0(A3.0) ...



**P.C.B LAND DIMENSION**



**CIRCUIT DIAGRAM**

**G-Switch Specification:**

- Operating temperature range : -30°Cto+85°C
- Rating : 50mA.12V DC
- Insulation resistance: : 100MΩ min.100V DC
- Dielectric strength : 250V AC for 1 min
- Contact resistance: : 100m Ω max.
- Travel:0.25±0.1mm



		<b>G-Switch Electronic (HongKong) CO.,Ltd.</b>				
				DESIGN FengFengChen	DATE 2019.05.29	Molde code:
Unless otherwise specified, Tolerance: X. ±0.30 X.x ±0.20 X.xx ±0.15 X.xxx ±0.10 Angles ±3°		CHECKED	DATE	<b>GT-TC106X-HXXX-LX</b>		
		APPROVED	DATE			
		<a href="http://www.dg-switch.com">http://www.dg-switch.com</a>		REV.: X1	SCALE: 4:1	UNIT: mm
		TEL:0769-82388879		SIZE: A4	SHEET: 1/1	