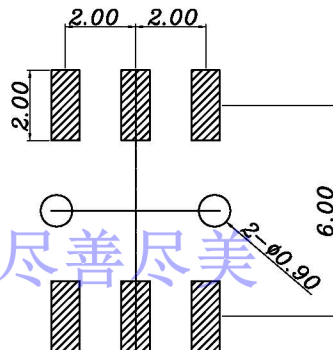
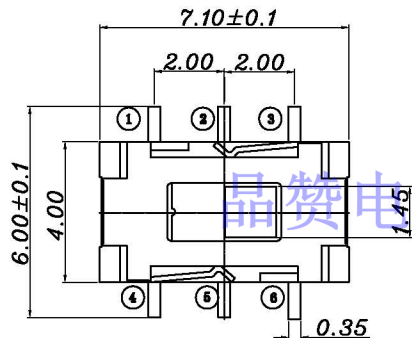


MS-22D28-GXXX

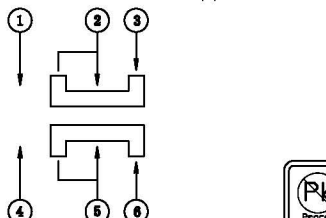
直拔形式

G-SWITCH P/N

G015=1.5mm  
G020=2.0mm  
G025=2.5mm



PCB PLERTING PLAN



CIRCUIT DIAGRAM

G-Switch:

使用温度范围: -20~70℃  
耐压: AC250V 50Hz 1min  
额定负荷: DC 12V 0.5A  
操作力: 200g±100gf  
接触电阻: ≤0.05Ω  
动作寿命: 10000次  
绝缘电阻: ≥100MΩ



RoHS  
Compliant  
2002/95/EC



 Unless otherwise specified, Tolerance: X           ±0.30 X.x       ±0.20 X.xx      ±0.15 X.xxx     ±0.10 Angles   ±3°	DESIGN	陈伟祺	DATE	2016.05.29	TITLE:	
	CHECKED		DATE		MS-22D28-GXXX	
	APPROVED		DATE			
	<a href="http://www.dg-switch.com">http://www.dg-switch.com</a>			REV.: X1	SCALE: 4:1	UNIT: mm
	TEL:0769-82388879			SIZE: A4	SHEET: 1/1	

G-Switch Electronic Technology CO.,Ltd.

MS-22D28-GXXX