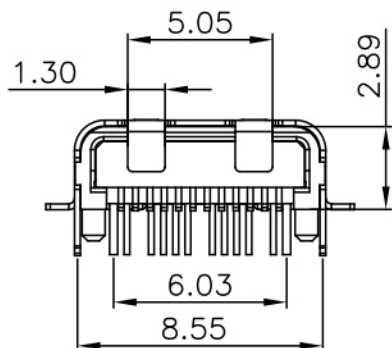


RECOMMENDED PCB LAYOUT(TOP VIEW)



PIN	Signal Name	Description	PIN	Signal Name	Description
A1	GND	Ground return	B12	GND	Ground return
A2	SSTxp1	Positive half of first SuperSpeed TX differential pair	B11	SSRx1	Positive half of first SuperSpeed RX differential pair
A3	SSTxm1	Negative half of first SuperSpeed TX differential pair	B10	SSRx1n	Negative half of first SuperSpeed RX differential pair
A4	Vbus	Bus Power	B9	Vbus	Bus Power
A5	CC1	Configuration Channel	B8	SBU2	Sideband Use (SBU)
A6	Dp1	Positive half of the USB 2.0 differential pair-Position 1	B7	Dm2	Negative half of the USB 2.0 differential pair-Position 2
A7	Dn1	Negative half of the USB 2.0 differential pair-Position 1	B6	Dp2	Positive half of the USB 2.0 differential pair-Position 2
A8	SBU1	Sideband Use (SBU)	B5	CC2	Configuration Channel
A9	Vbus	Bus Power	B4	Vbus	Bus Power
A10	SSRx2n	Negative half of second SuperSpeed RX differential pair	B3	SSTx2	Negative half of second SuperSpeed TX differential pair
A11	SSRx2p	Positive half of second SuperSpeed RX differential pair	B2	SSTx2p	Positive half of second SuperSpeed TX differential pair
A12	GND	Ground return	B1	GND	Ground return

NOTES:

SPECIFICATION:

1. CURRENT RATING: 5A MAX
2. VOLTAGE: 125 VAC
3. TEMPERATURE RANGE: -30 °C ~ 85 °C
4. CONTACT RESISTANCE: 40 MILLIONHM MAX
5. INSULATION RESISTANCE: 100 MEGOHMS MIN.
6. INSERTION FORCE : 5N~20N
7. UNMATING FORCE: 8N~20N
8. DURABILITY: 10,000 CYCLES



	G-Switch Electronic Technology CO.,Ltd.		
	DESIGN 陈锋枫	DATE 2016.05.29	TITLE:
Unless otherwise specified, Tolerance: X. ±0.30 X.x ±0.20 X.xx ±0.15 X.xxx ±0.10 Angles ±3°	APPROVED	DATE	GT-USB-7017
	http://www.dg-switch.com	REV.: X1	SCALE: 4:1
	TEL:0769-82388879	UNIT: mm	
		SIZE: A4	SHEET: 1/1