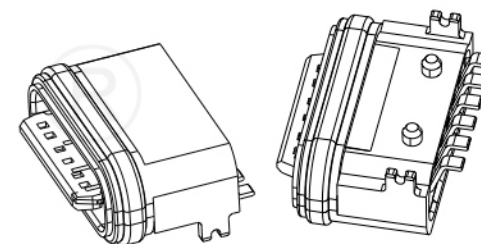


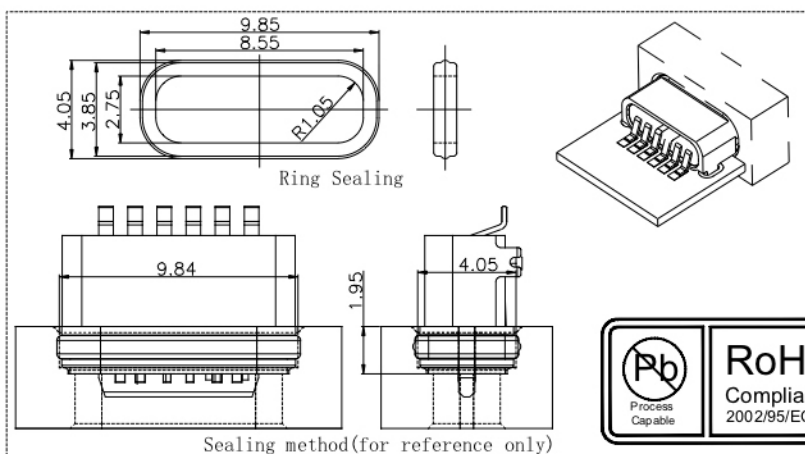
RECOMMENDED PCB LAYOUT  
TOLERANCE UNSPECIFIED: ±0.05mm



1. Material/Plated
  - 1.1 Housing: High temperature thermoplastic, Black UL 94V-0.
  - 1.2 Terminal: Copper Alloy, Gold Plated Nickel Underplated
  - 1.3 Shell: Zinc Alloy, Nickel plated
  - 1.4 Ring: Silicon
  - 1.5 Epoxy: Epoxy, Black
2. Electrical Performance
  - 2.1 Rated Voltage: 30V AC
  - 2.2 Rated Current: 5.0A Max.
  - 2.3 Contact Resistance: 40mΩ Max.
  - 2.4 Insulation Resistance: 100MΩ Min.
  - 2.5 Dielectric Strength: 100V AC
3. Mechanical Performance
  - 3.1 Insertion Force: 5-20N
  - 3.2 Withdrawal Force: 6-20N
  - 3.3 Durability: 10000 Cycles
4. Operating Temperature: -25°C To +85°C
5. Waterproof: IPX7

Connector Pin Assignments

A5	CC1	B12	GND
A9	VBUS	B9	VBUS
A12	GND	B5	GND
PIN	SIGNAL NAME	PIN	SIGNAL NAME



G-Switch Electronic (HongKong) CO.,Ltd

Unless otherwise specified, Tolerance:  
X. ±0.30  
X.x ±0.20  
X.xx ±0.15  
X.xxx ±0.10  
Angles ±3°

DESIGN 陈锋枫 DATE 2019.05.29  
CHECKED DATE  
APPROVED DATE  
<http://www.dg-switch.com>  
TEL:0769-82388879

TITLE:  
GT-USB-7049  
REV.: X1 SCALE: 4:1 UNIT: mm  
SIZE: A4 SHEET: 1/1